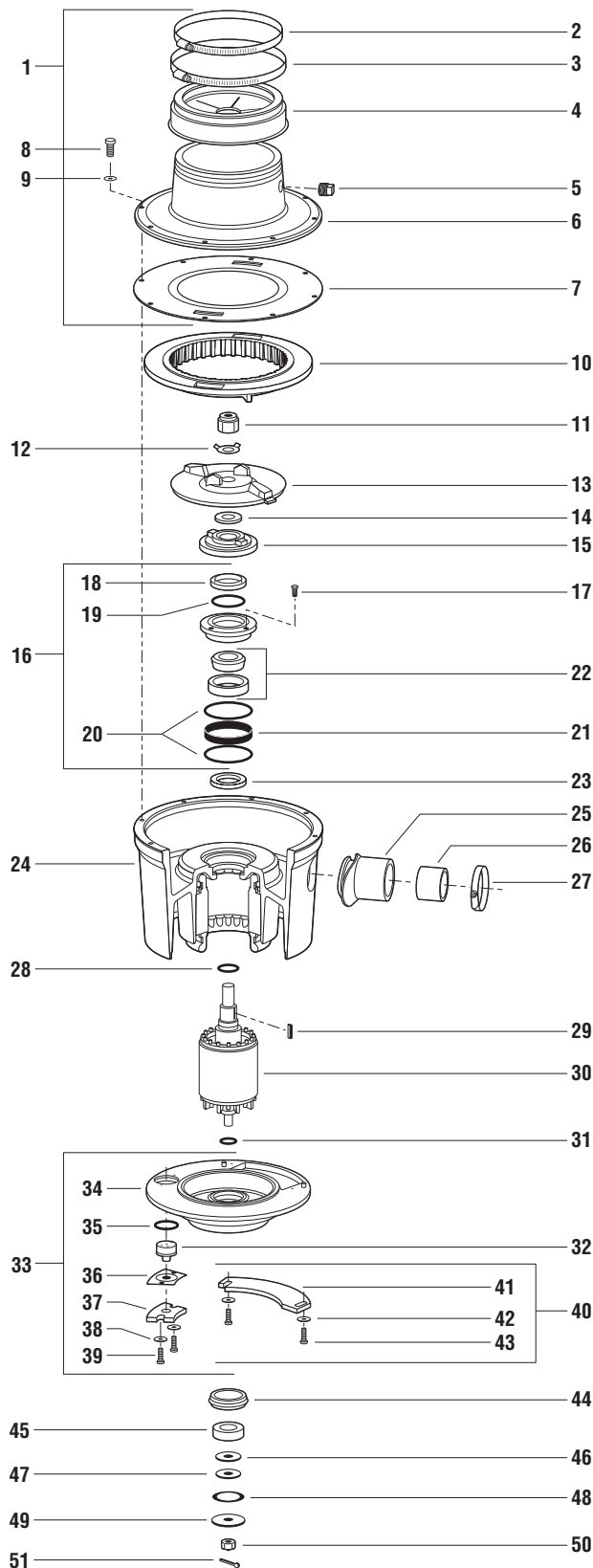


# Salvajor Model 125 1 1/4 HP - 3 Phase

## Series J Disposer Parts Breakdown *For Serial Numbers starting at: 123441*



| NO. | PART NO.  | DESCRIPTION                                 |
|-----|-----------|---|
| 1   | 980131    | TOP HOUSING ASSY (includes 2 thru 7)        |
| 2   | M116      | CLAMP                                       |
| 3   | M128      | CLAMP                                       |
| 4   | 2357A     | HYCAR ADAPTOR                               |
| 5   | PL5       | PLUG 1/2" PLASTIC                           |
| 6   | 983010    | TOP HOUSING                                 |
| 7   | 996045    | CENTER GASKET (S)(C)                        |
| 8   | 997022    | SCREW 5/16-18 X 1" HHCAP                    |
| 9   | 997123    | WASHER FLAT 11/32 x 5/8OD SS                |
| 10  | 8SWX      | SHREDDER (C)                                |
| 11  | 7814RN    | ROTOR NUT (S)(C)                            |
| 12  | 997092    | LOCK WASHER (S)(C)                          |
| 13  | 983015    | FACE PLATE (C)                              |
| 14  | 996025    | ROTOR SHAFT GASKET (S)(C)                   |
| 15  | 980132    | ROTOR BASE (S)(C)                           |
| 16  | 980007    | TOP END BELL ASSY (S) (includes 17 thru 21) |
| 17  | 997066    | SCREW 10-32 X 5/8" (S)                      |
| 18  | S67350B   | VARILIP SEAL (S)                            |
| 19  | 995009    | SPACER SEAL TEB (S)                         |
| 20  | 12151     | O-RING (S)                                  |
| 21  | ANL79X15S | TOLERANCE RING (S)                          |
| 22  | 985001    | BEARING CUP/CONE TOP (S)                    |
| 23  | S67350    | VARILIP SEAL (S)                            |
| 24  | MH21257   | HOUSING W/STATOR 1-1/4HP 208-230/460V 3-PH  |
| 25  | RDO       | DRAIN OUTLET 2"                             |
| 26  | DI        | DRAIN INSERT 2"                             |
| 27  | M40       | CLAMP DISPOSER 2"                           |
| 28  | 11026     | O-RING (S)                                  |
| 29  | 31634     | KEY 3/16 x 3/16 x 3/4" (S)                  |
| 30  | 991106    | MOTOR ROTOR 125-3                           |
| 31  | 996020    | O-RING (S)                                  |
| 32  | KL1003    | KLIXON                                      |
| 33  | BEBA123G  | BOTTOM END BELL ASSY (includes 34 thru 40)  |
| 34  | 983016    | BOTTOM END BELL                             |
| 35  | 123       | KLIXON O-RING (S)                           |
| 36  | KLCG      | KLIXON COVER GASKET                         |
| 37  | KLC       | KLIXON COVER                                |
| 38  | 997043    | WASHER 10-32                                |
| 39  | 997067    | SCREW 10-32 X 3/4"                          |
| 40  | JBCA      | JUNCTION BOX COVER ASSY (includes 41,42,43) |
| 41  | JBC       | JUNCTION BOX COVER                          |
| 42  | 997024    | WASHER 3/4" OD 3/16" ID                     |
| 43  | 997067    | SCREW 10-32 X 3/4"                          |
| 44  | 996023    | BEB RUBBER ISOLATOR (S)                     |
| 45  | 6205      | BOTTOM BEARING (S)                          |
| 46  | 987002    | DRIVE WASHER (S)                            |
| 47  | 996024    | FRICTION WASHER (S)                         |
| 48  | 987003    | WAVE WASHER (S)                             |
| 49  | 987001    | RETAINING WASHER (S)                        |
| 50  | 997050    | CASTLE NUT (S)                              |
| 51  | 997051    | COTTER PIN (S)                              |

### SEAL AND CUTTING KITS

|        |                            |
|--------|----------------------------|
| KSH123 | Seal Kit (All Models)      |
| KCJ1   | Cutting Kit (Model 75-125) |

(S) Designates Parts included in Seal Kit (C) Designates Parts included in Cutting Kit

**SPECIFY VOLTAGE AND PHASE WHEN ORDERING**



**The Salvajor Company**

4530 East 75th Terrace  
Kansas City, MO 64132-2081 USA

**CALL FREE: 1-888-SALVAJOR FAX FREE: 1-800-832-9373**