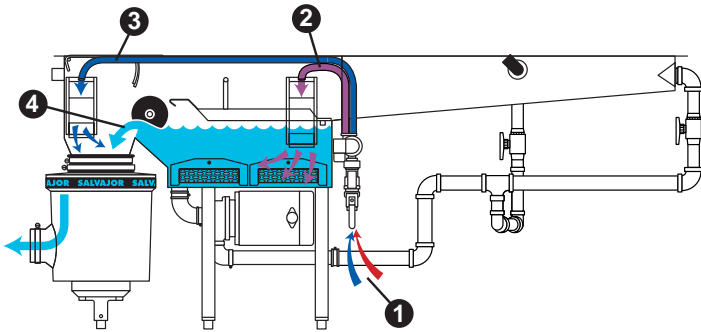


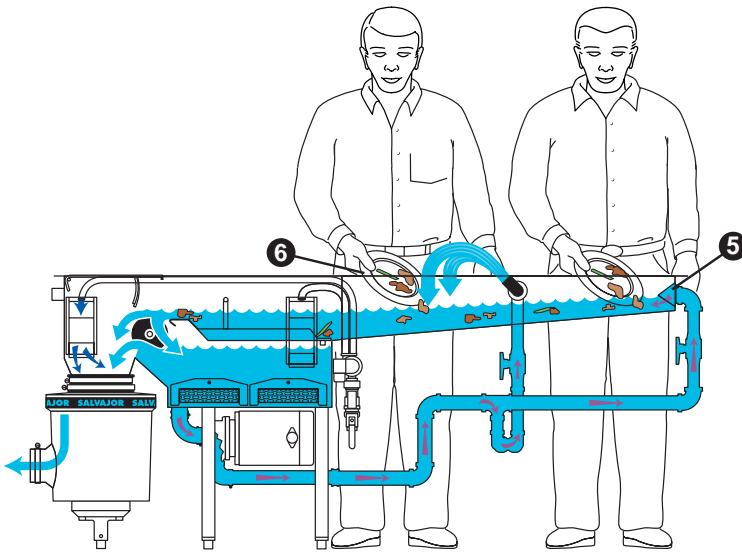
# Salvajor TroughVeyor

## Model TVL & TVR

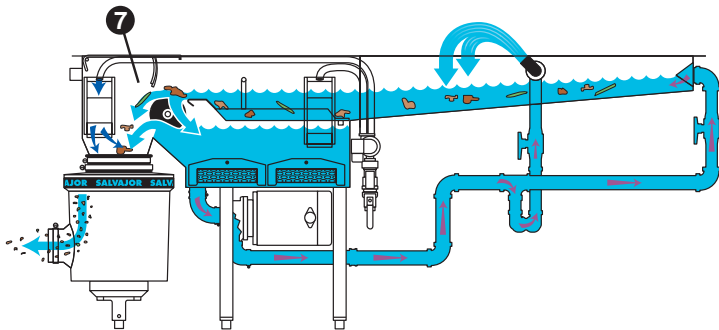
### “HOW IT WORKS”



- 1 When the TroughVeyor is first turned on, hot and cold water pass through a water blender set at 107° F.
- 2 The blended water enters the tank at the rate of 5 gallons per minute.
- 3 Cold water is introduced directly into the disposer grind chamber at the rate of 2 gallons per minute.
- 4 The water level in the tank reservoir rises until it overflows into the disposer at the rate of 5 gallons per minute.



- 5 When the tank reservoir holds sufficient water, the TroughVeyor pump begins circulating water down the trough.
- 6 Dishes are scrapped into the trough by hand or passed through the water plume coming from the rubber gusher heads (optional).



- 7 Food waste is carried by the water toward the revolving separator disks. Water falls through the disks and returns to the tank reservoir. The waste is carried over the disks into the disposer for grinding.



**The Salvajor Company** 4530 East 75th Terrace Kansas City, Missouri 64132-2081, USA  
 1-800-821-3136 (816) 363-1030 FAX: 1-800-832-9373  
 www.salvajor.com Email: sales@salvajor.com service@salvajor.com  
 Manufacturers of Commercial Food Waste Disposing Systems since 1944